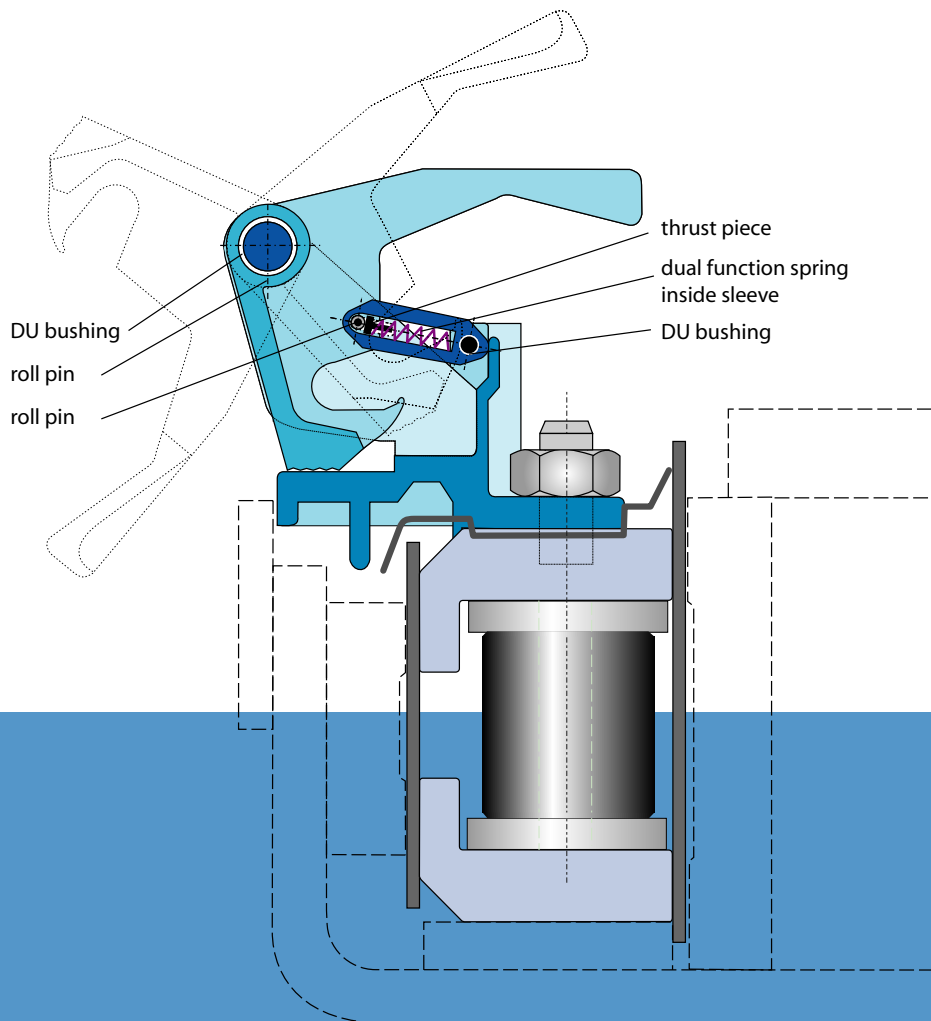


Chain / Clip Cleaning Example Model FOK 4.4.4.



What clip and chain suffer during operation:

- clip and chain travel up to 200.000 km and more a year
- a clip performs about 3.000.000 motions a year
- each chain piece deflects approximately 8.000.000 times a year
- temperature cycles from 130°C to 220°C and more
- a chain tension of 22.500 N and film tension of 600 N/mm²
- evaporation of oil and additives

Our Offer:

We offer a comprehensive cleaning and repair of the chains and clips at our original manufacturing shops. This gives you the opportunity to have any worn parts replaced or repaired without:

- ordering parts by yourself
- time consuming determination of needed spare parts
- coordination of shipping of parts from machine shop to cleaning and back

This eliminates any part handling or work supervision by your personnel except for packaging and shipping. A small amount of spare parts, just for emergency repair will be sufficient.

! technical specifications and replaced parts may vary due to clip type !

Chain / Clip Cleaning Model FOK 4.4.4.

What you have to do:

please send us the clips or the chain as they are after removing them from the oven.
No matter how dirty or oily they are - we will take care of them

What we will do:

- after receiving the clips or the chain we, shall perform a thorough inspection to determine the actual condition of clip and chain. If necessary, we will inform you about any additional repair work or need for replacement beyond our standard cleaning routine.
- we completely disassemble the clips and the chain - each component will be cleaned with a special developed solvent. Thus, we guarantee that all material gets its optimum treatment.
- all bushings, springs, roll pins and thrust pieces of each clip shall be replaced. These are the parts which are subject to wear and tear on which you should never make any compromise.
- depending on our initial inspection we will also check all critical dimensions and tolerances.
- a thorough final inspection will ensure that any clip or chain piece is "like new" and fit for another millions of future load cycles.

Your Benefits:

- avoidance of risks with doubtful repair shops which are not familiar with the design and maintenance needs of genuine Brückner clips and chains. Preserve your investment by getting a complete rebuild at the manufacturing place.
- comprehensive two year warranty on workmanship and materials replaced.
- avoidance of tying up your maintenance staff with a messy and time consuming work.
- saving investment cost for new tools and equipment.
- no costly disposal of solvents and dirt.
- just a handful, cheap and easy to handle stock of spare parts for emergencies

new



contaminated



revised

